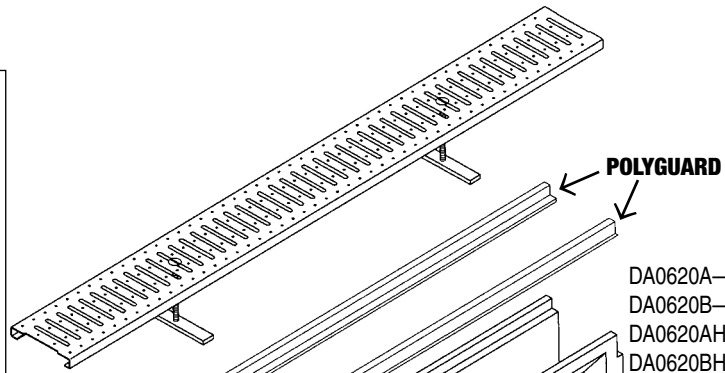


Traffic Conditions Requiring Channel Reinforcement (700 Series Frames, DURAGUARD®, POLYGUARD)

- **Solid Tires**
- **High Speed (over 15mph)**
- **Frequent Traffic**



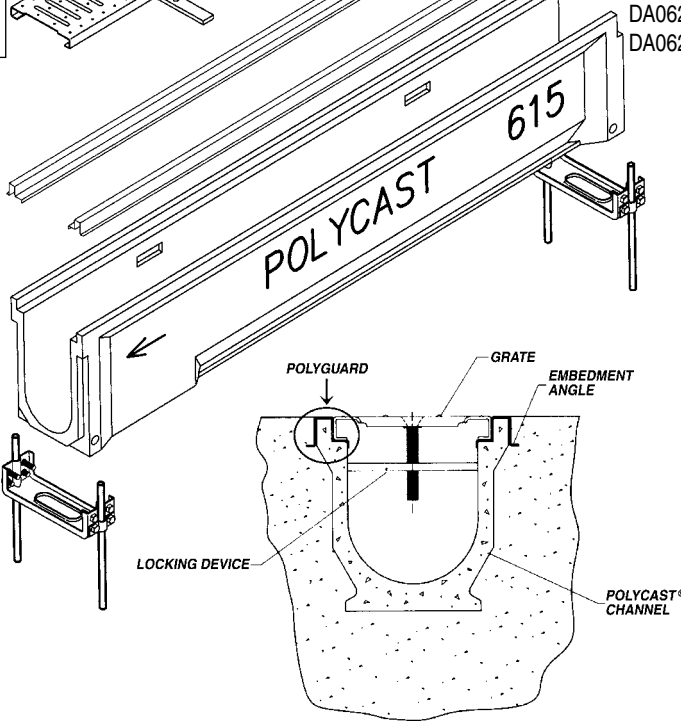
- DA0620A—galvanized steel (48" lg.)
- DA0620B—stainless steel (48" lg.)
- DA0620AH (24" lg.)
- DA0620BH (24" lg.)

POLYGUARD

POLYCAST® POLYGUARD protects the exposed upper edge of the POLYCAST® channels for unmatched strength and protection against chipping and scarring in frequent or heavy traffic. POLYGUARD also gives extra architectural versatility.

POLYGUARD easily installs over the top edge of the 600 Series POLYCAST® channel and covers the upper horizontal and vertical surfaces of the POLYCAST® channel. It comes in 48" and 24" lengths.

POLYGUARD's keying feature locks into the adjacent concrete to help disperse destructive lateral loads away from the drain channel. This same feature also prevents the rails from slipping as can occur in other systems that rely only on mechanically bonding directly to the channel.



Neutral Channels

4" Bottom Cut-Outs



- 605H (705H)
- 615H (715H)
- 625H (725H)

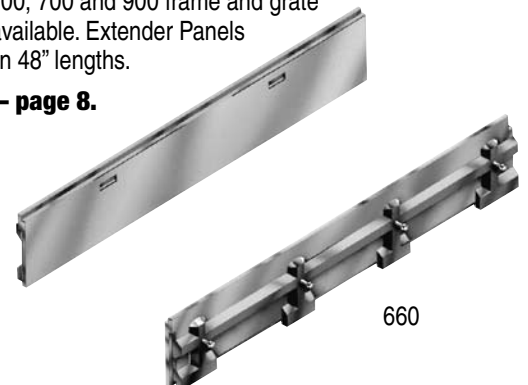
- 600N (700N)
- 605N (705N)
- 615N (715N)
- 625N (725N)

Extender Panel

The Extender Panel Set (660) provides additional design flexibility in meeting requirements of extended run lengths and/or higher flow capacities.

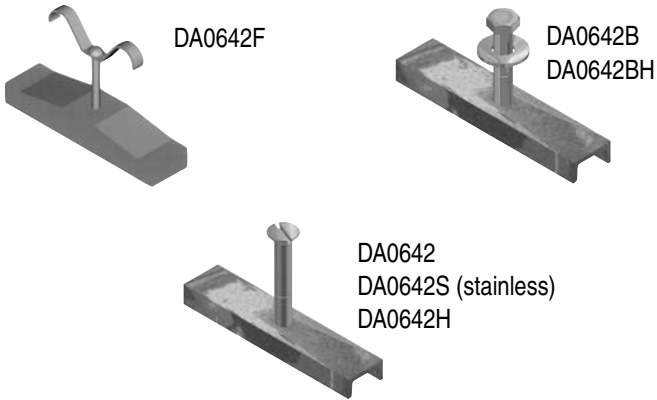
The Extender Panel adds an additional depth of 7-13/16". All 600, 700 and 900 frame and grate systems are available. Extender Panels are available in 48" lengths.

See detail — page 8.



660

LOCKING DEVICES

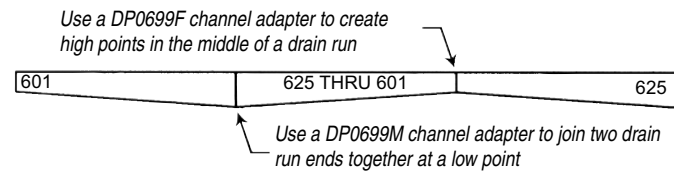


Locking Devices are to be used with all grating systems where wheel traffic occurs. This is necessary to provide system integrity.

CHANNEL ADAPTERS



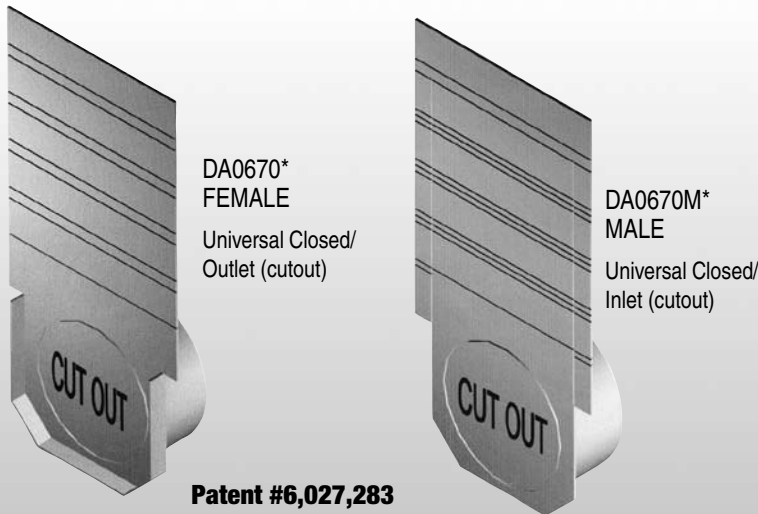
Male and Female Transition Devices (699F & 699M) are available where channel runs are in opposite directions and two channels are set either female to female or male to male. A female transition piece (699F) is used to fill the top space of the female to female joint (this applies to 600 Series only). An epoxy grout or urethane sealer can be used to smooth over the gap on the inside bottom of the channel. A male transition piece (699M) is used to lap under the male to male joint.



END CAPS

POLYCAST® end caps are used to enclose or provide piping transitions to the female and male ends of the channels where catch basins are not being used. They fit all channels ending in five (5), zero (0), neutrals (N) and halves (H).

ABS Plastic End Caps



Patent #6,027,283

Male End Caps

POLYCAST® Universal male end caps are used to enclose or provide 4" pipe inlets to the female channel ends. Inlets accommodate 4" pipes.

Female End Caps

POLYCAST® Universal female end caps are used to enclose or provide 4" pipe inlets to the male channel ends. Inlets accommodate 4" pipes.

*Fits ALL POLYCAST® (600, 700 & 900 Series) Channels

Polymer Concrete End Caps



**
DA0620D6 (DA0720D6)
DA0625D6 (DA0725D6)

DA0625DM6**
(DA0725DM6)

These inlets and outlets accommodate 6" pipes.

** Fits CORRESPONDING POLYCAST® 600, 700 & 900 Series Channels