

Installation Rates of 60'- 90' Per Hour Are Easily Attainable With a 2-Person Crew.

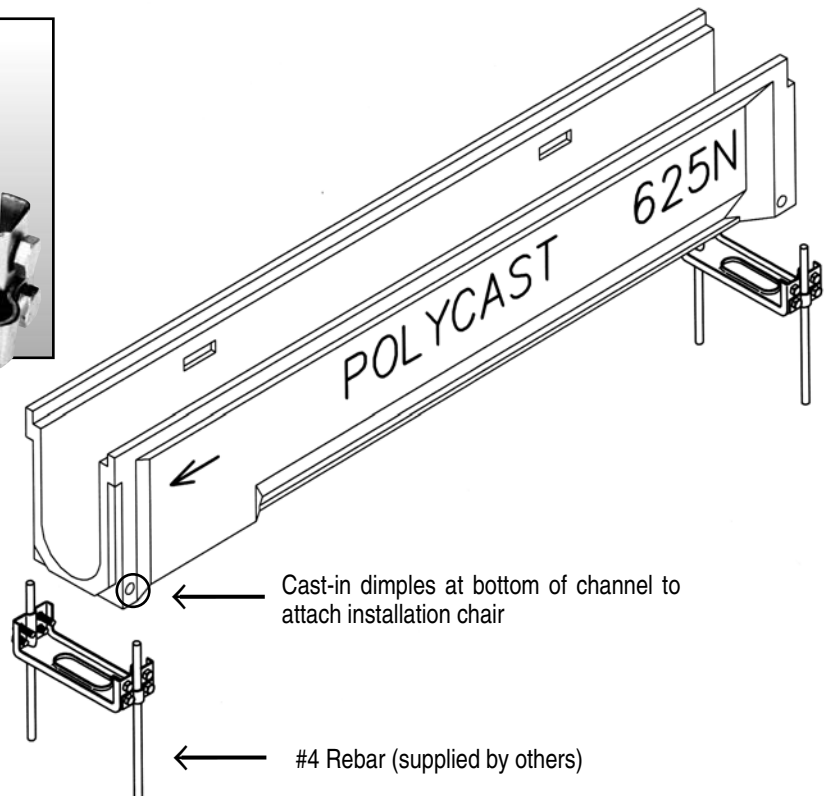
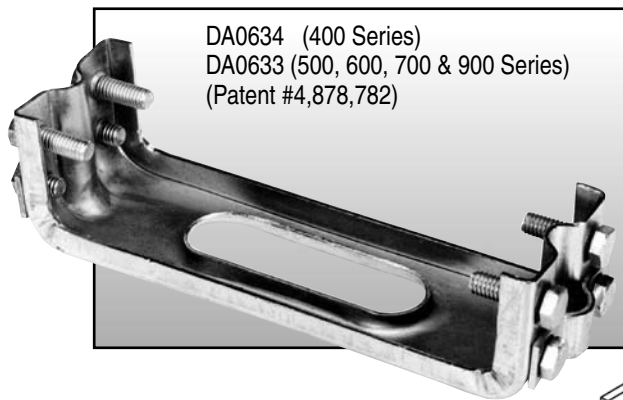


The POLYCAST® Installation Chair is the most efficient and economical means of setting a precast trench system. The installation chair supports the ends of the channels, aligns and locks the joint rigidly together and prevents the channels from floating. Adjusting channel elevation is easy with the POLYCAST® Installation Chair.

The installation chair is attached by tightening the alignment bolts into the channel "dimples". Two pieces of rebar are set every 4' to correspond with the channel joints, placed through the connecting clamp on the installation chair and driven into the sub-base. The channels are then aligned and adjusted to achieve the proper elevation.

One chair per joint required.

NOTE: For use with 400, 500, 600, 700 and 900 Series Channels.



- **Rapid, accurate installation**
- **Aligns channels**
- **Sets elevation**
- **Tightens joint**
- **Reduces leakage during concrete placement**
- **Prevents channels from floating during concreting**